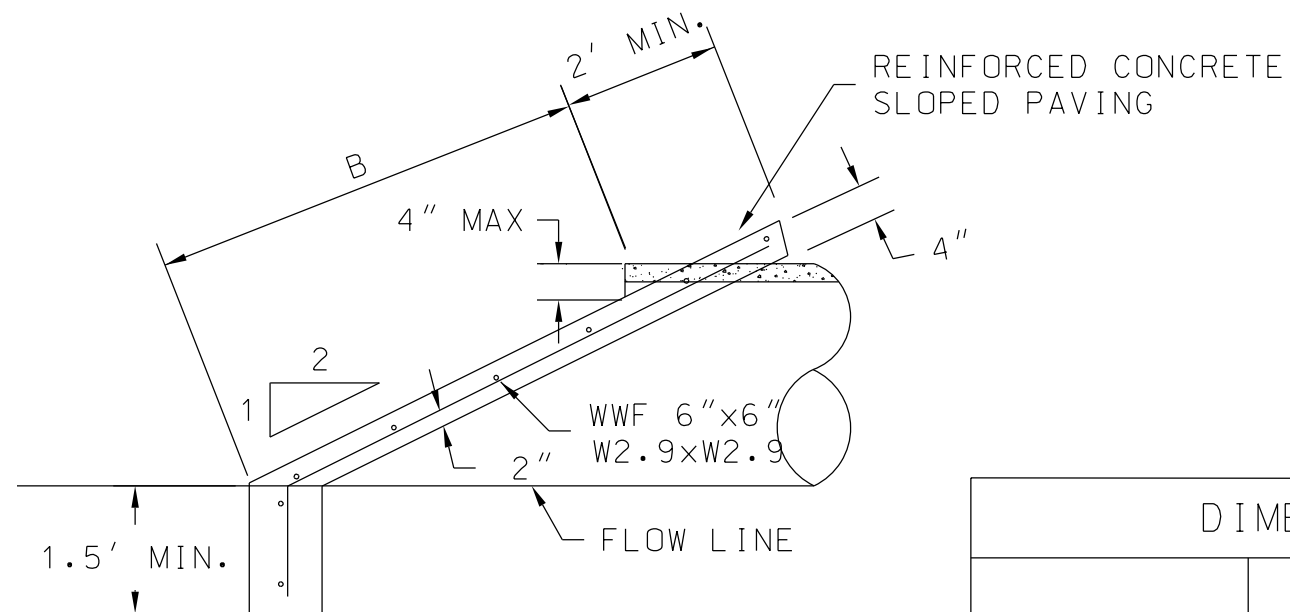
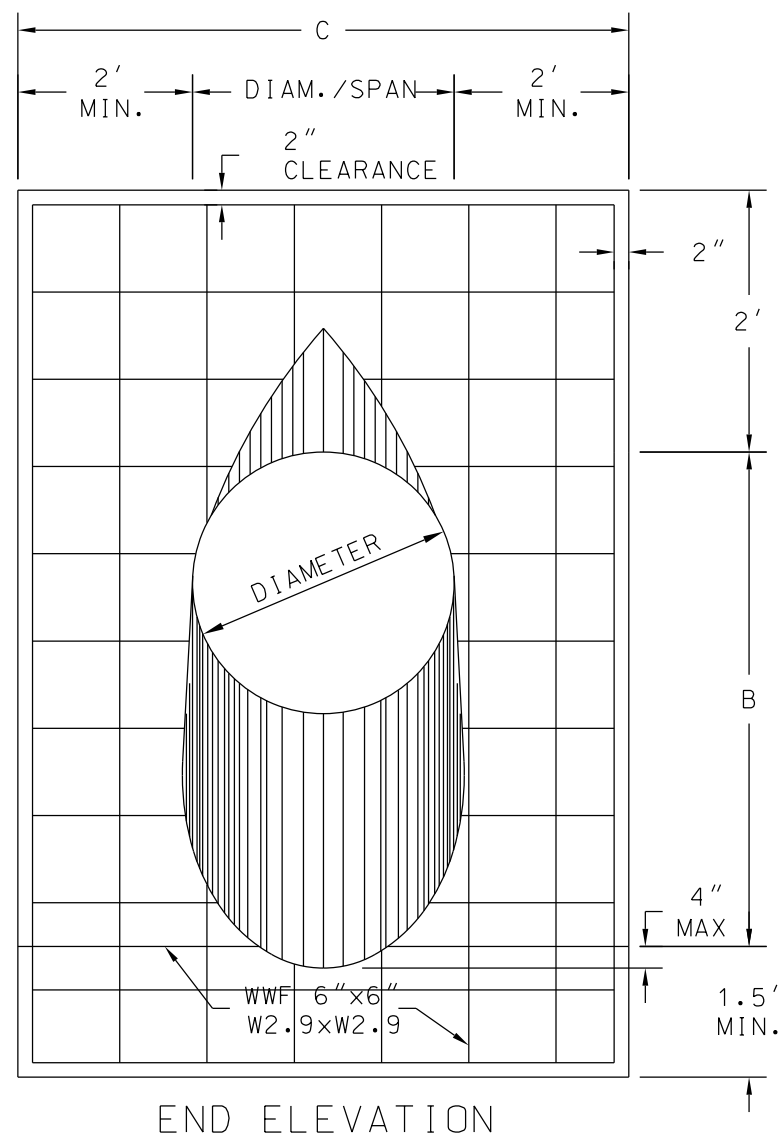


HOUSTON COUNTY ROAD AND BRIDGE DEPARTMENT

SLOPE PAVED HEADWALL SPECIFICATIONS FOR DRIVEWAY PIPE INSTALLATIONS



DIMENSIONS AND QUANTITIES				
PIPE SIZE	AREA SQ.FT.	SLOPE	B	C
15" ø	1.2	2:1	2' - 10"	5' - 3"
18" ø	1.8	2:1	3' - 4"	5' - 6"
24" ø	3.1	2:1	4' - 6"	6' - 0"
30" ø	4.9	2:1	5' - 7"	6' - 6"
36" ø	7.1	2:1	6' - 8"	7' - 0"
42" ø	9.6	2:1	7' - 10"	7' - 6"
48" ø	12.6	2:1	8' - 11"	8' - 0"
54" ø	15.9	2:1	10' - 1"	8' - 6"

NOTES:

1. THE FILL IS TO BE PLACED AND ALL SHORING REMOVED BEFORE THE SLOPE PAVING IS PLACED.
2. CONTRACTOR IS RESPONSIBLE FOR ALL MATERIALS INCLUDING A MINIMUM OF 1 FOOT OF COVER OVER PIPE.
3. ALL DISTURBED AREAS SHALL HAVE SOD AND/OR SEEDING AND MULCHING APPLIED AFTER COMPLETION OF PIPE INSTALLATION. (MUST BE COMPLETED BY CONTRACTOR)
4. CONTRACTOR SHALL ENSURE THROUGH MECHANICAL MEANS OR OTHER APPROVED DEVICES THAT CONNECTION BETWEEN BEVELED PIPE END AND CONCRETE WILL NOT BE DETACHED.
5. DRIVEWAYS THAT ARE NOT RECEIVING ASPHALT OR CONCRETE SHALL HAVE GRAVEL ADDED TO ROW LINE.
6. FOR ALUMINIZED PIPE, METAL END SECTIONS CAN BE USED IN LIEU OF A CONCRETE HEADWALL.
7. THE QUANTITIES IN THE TABLE ABOVE INCLUDE TWO (2) SLOPE PAVED HEADWALLS WITH TOE WALLS.

NOT TO SCALE

LOCATION: _____

 CONTRACTOR: _____
 PHONE: _____
 SIGNATURE: _____
 DATE: _____
 PERMIT NO.: _____